

PROJECT:

FOR APPROVAL

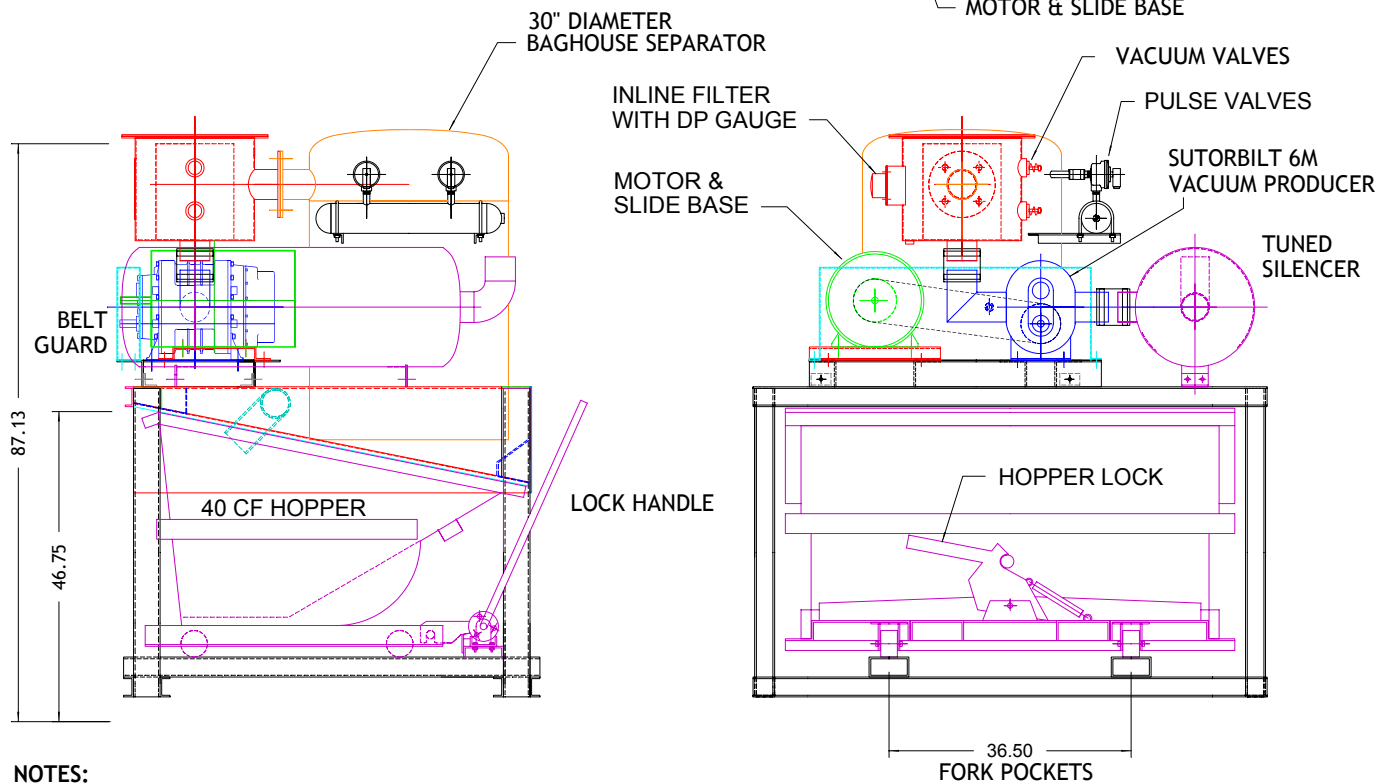
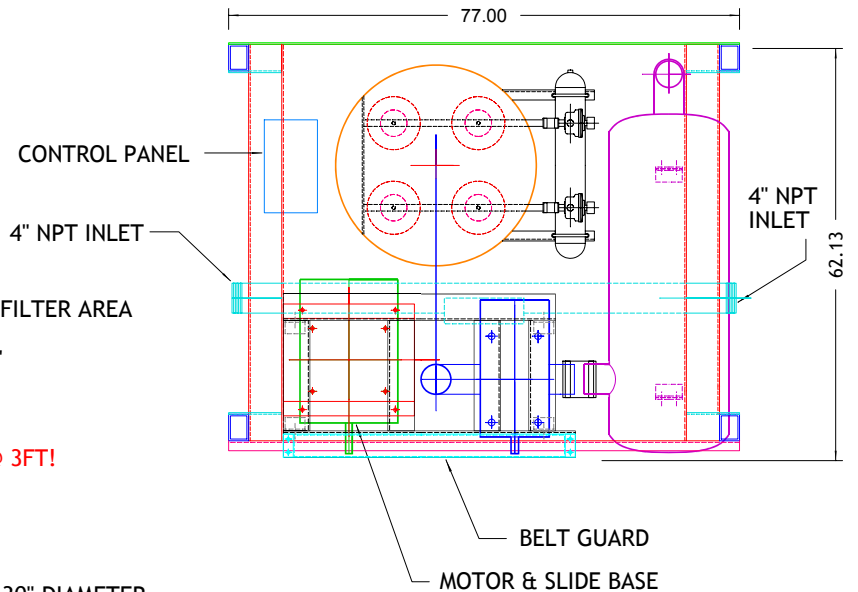
CERTIFIED

MODEL PL200p PORTABLE VACUUM SYSTEM

STANDARD FEATURES:

1. 400 ICFM @ 16" Hg. CONTINUOUS
2. SUTORBILT 6M VACUUM PRODUCER
3. 20 HP LEESON MOTOR
4. FOUR (4) CARTRIDGES WITH TOTAL 244 SF FILTER AREA
5. 99.9% AT 1.0 MICRON, STANDARD
6. AUTOMATIC PULSE CLEANING "ON DEMAND"
7. 45.4 SF INLINE FILTER, STANDARD
8. 40 CF MATERIAL STORAGE
9. SILO TYPE, ABRASION RESISTANT INLET
10. CUSTOM TUNED SILENCER, UNDER 85 DBA @ 3FT!

FOUR (4) CARTRIDGE FILTERS
244 SQ FT SURFACE AREA



NOTES:

1. SUITABLE FOR WET AND DRY PICKUP
2. EXPECT 125 - 175 LBS/MIN PICKUP WITH 2.5" HOSE 25 FT LONG
3. WILL SUPPORT A FIXED PIPE NETWORK UP TO 400 FT LONG WITHOUT MODIFICATION
4. PAINTED PRIME BASE COAT AND TWO TOP COATS OF ENAMEL

WARNING: VACUUM PRODUCERS THAT CLAIM TO ACHIEVE 18" Hg. CAN *NOT* MAINTAIN VACUUM AT THAT LEVEL WITHOUT OVERHEATING!
 ENSURE YOU ASK FOR A WRITTEN PERFORMANCE GUARANTY THAT SPECIFIES 1 HOUR SEALED RUN TIME

Industrial Air Solutions
 Raleigh, NC 877-844-3293

01			DATE:	DRAWING No.	Rev.
00	10 DEC 02	FOR REVIEW	DRAWN BY: KRW	ND2002158	00
Rev.	Date		SCALE: NTS	PAGE 1 OF 1	