



# HURRICANE 755

## **HURRICANE 755 SPECIFICATIONS**

### • TRAILER MOUNTED

Chassis - tandem 8000# axles, 4" x 6" rectangular tube frame, 8'4" x 18' with four, 8 lug P225R-16 ten ply, steel belted radials. DOT lighting with electric brakes. Enclosed trailer light wiring harness, sealed junction boxes.

### • POWER SOURCE

John Deere turbo-charged diesel engine, 6.8 L, 225 HP @2400 RPM

### • P.T.O (clutch)

Double disc, 11.5" with iron plates

### • VACUUM AIR FLOW (blower)

Roots Dresser 3660 CFM capable of 27" Hg, direct drive through flex coupling, with guard

### • FILTRATION SYSTEM

Cyclonic separation. Baghouse - 37 Teflon coated, quick change filter bags with 5 station continuous reverse pulse air cleaning. High efficiency blower safety filter.

### • HYDRAULICS

3.5 GPM, 2200 PSI, direct drive

### • ENCLOSURE

Lockable steel shroud over all major components

### • INSTRUMENT PANEL (fully enclosed)

12 volt key start, Murphy safety switch (low oil pressure/ high water temperature-auto shut down)

Gauges: oil pressure, water temperature, ammeter, tachometer with hour meter, air pulse on/off switch, material vacuum & dump time controls

### • AIR COMPRESSOR

Direct drive Midland twin cylinder, water cooled and oil pressure fed. Midland air dryer with electronic heater. AMSE certified air tank mounted on vibration isolators.

## **STANDARD EQUIPMENT**

- Paint-one color (custom lettering available)
- Wet or dry operation
- Emergency stop button
- Automatic cone vibrator
- 100 gallon fuel tank
- Adjustable pintle hook
- Tool box
- Auxiliary air hose 120 PSI

## **OPTIONS**

- Skid mount
- Cold weather package
- Auger in hopper (cone)
- Slide gate discharge
- Larger capacity collection hopper
- Twin hydraulic lift legs to level trailer
- High reach package for discharge up to 11'
- Manhole on baghouse
- Roof top hoppers
- Spare tire & carrier
- HEPA filtration

Information in this document  
is subject to change without notice.



**Industrial Air Solutions, Inc.**  
6300 Limousine Drive, Suite 120  
Raleigh, NC 27617

**Toll Free (USA) 877-844-3293**

Fax 919-518-1667

E-mail [info@industrialairsolutions.com](mailto:info@industrialairsolutions.com)

[www.industrialairsolutions.com](http://www.industrialairsolutions.com)

25' 6"

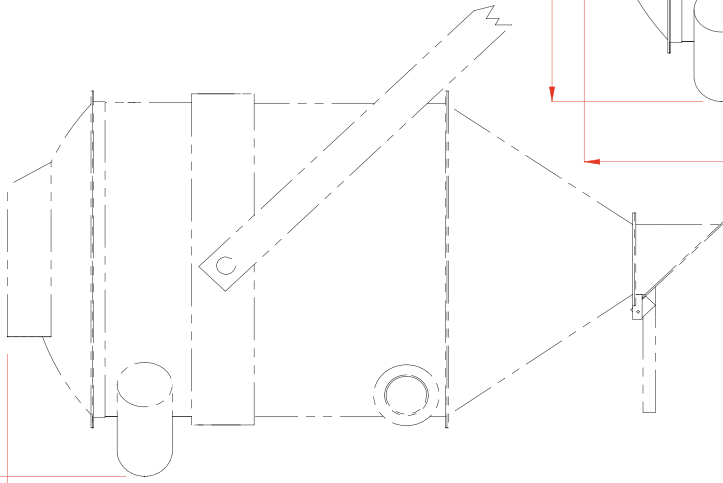


# HURRICANE 755

## DIMENSIONS

WIDTH 8'3" WEIGHT 13,500 lbs.

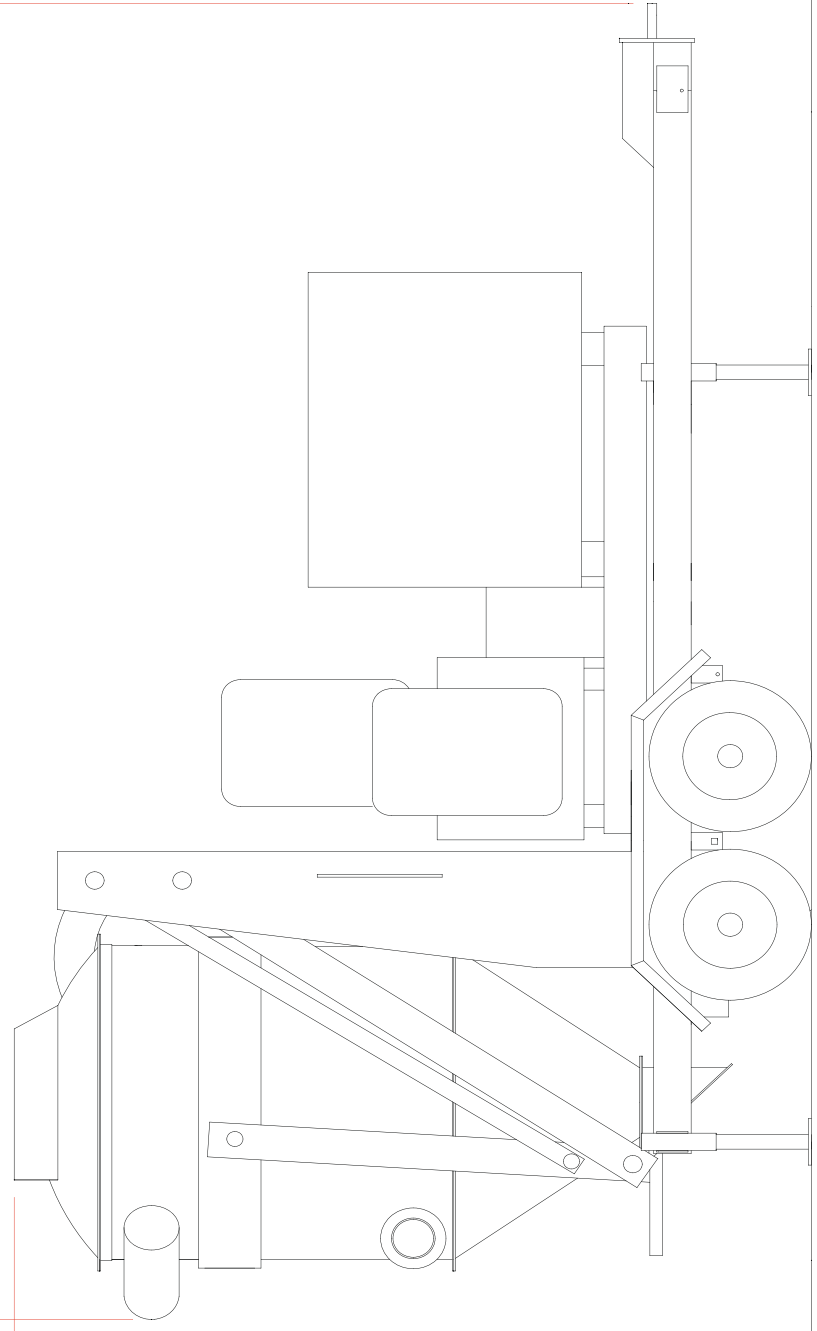
17' 2"



18' 9"

11' 1"

8' 9"



29 1/2"